

Inkjet printer

(Model: PM-100)



Software System

Advanced Australia ORANGE COMPUTER software system designed to enable our ink-jet printer of automatic tracking, in order to promote stability and improve the work efficiency of Ink-jet printer.

Application Range

Printing industry: Pipe, wire and cable, food, beverages, alcohol, chemical, automotive, pharmaceuticals, cosmetics, building materials industries, etc.

Printing content: Date, time, batch number, serial number, design, bar code, security code, multiple languages, multiple font, logo, etc.

Advantages

1

Printer Head Auto Washing Function



2

Date Coding



3

Series Date Printing



4

Automatic Number Changing



5

Series Date Printing



6

Automatic Counting



7

Ink Low Level Alarm



8

Printing 2d Quick Response Code



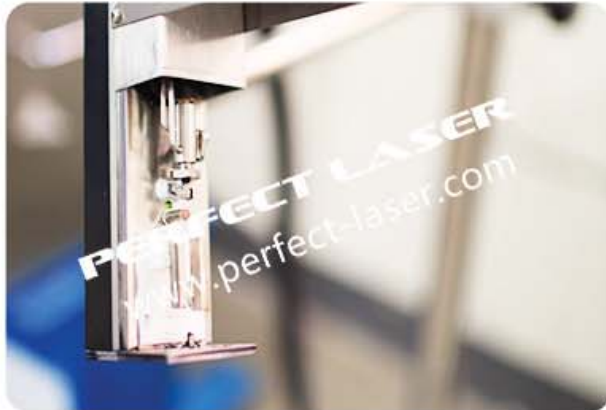




1.

Advanced LCD Touching Screen

10' Inch Big Colorful Touching Screen
Big Touching Button, Friendly Interface
Easy Edit the Printing Text
Can Show the Ink and Solvent Level
Easy to Use and Operate



2.

Spacial Cover Design for Printer Head

Protects the Ink Head
Avoid Dust and Powder Get into it.



3.

Power Switches

Provided with "Over-Current Protection" Function
Ensure Safe Using.



4.

Advanced LCD Touching Screen

10' Inch Big Colorful Touching Screen
Big Touching Button, Friendly Interface
Easy Edit the Printing Text
Can Show the Ink and Solvent Level
Easy to Use and Operate



5.

Spacial Cover Design for Printer Head

Protects the Ink Head
Avoid Dust and Powder Get into it.



6.

Ink System

Makes the Ink Path Smooth,
Dust-Proof.



7.

Filters

Filter the Precipitant in the Ink
Prevents Ink Blocking the Printing Head



8.

Adjustable Nut

Easy Adjust the Position of Printer Head and
Sensor to Proper Direction and Angel
Ensures the Best Printing Quality



9.

Omni-directional Wheels

360 Degree Full Direction Move
Holder with Brake Function
Can Move Machine and
Fasten it Easily



10.

Key Lock

Lock the Ink & Solvent Tank System
Protects the Machine and Dust-Proof.



11.

Exhaust Fan Design

Exhaust the Heat during Machine Working
Ensures Long Lifespan of Machine Inner Component and
Dust-Free



12.

Stainless Steel Holder

Easy Move the Machine
by Hand and it can be Folded

Optional Items



Conveyor Belt

Made of Stainless Steel and High Quality Belt

Adopts Governor with Automatic Speed

Steady Speed Circuits and Top Brand Driver

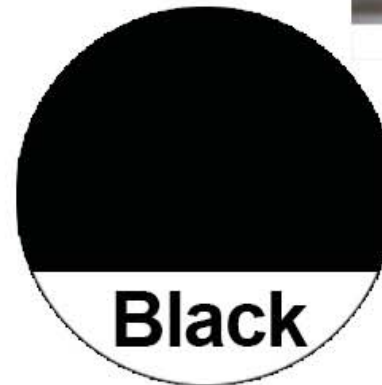
**Widely Used in Medicines, Cosmetics, Food, Electronics, etc.
and Other Industrial Transport and Coding Purposes**

Speed Control Switch

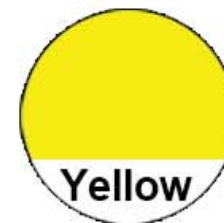
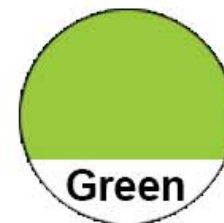
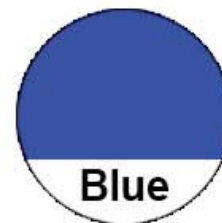
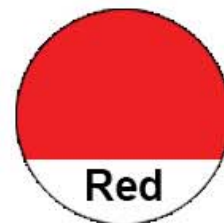
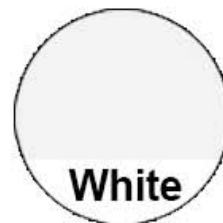
Controls the Speed in Low or High Freely.



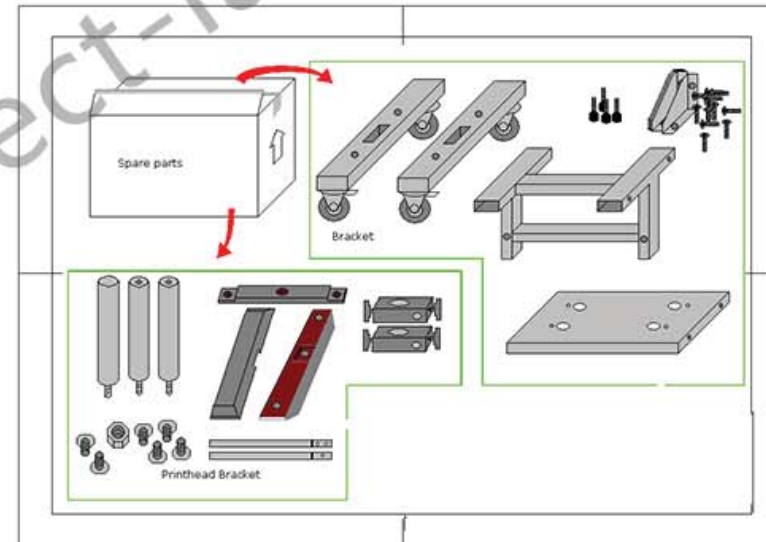
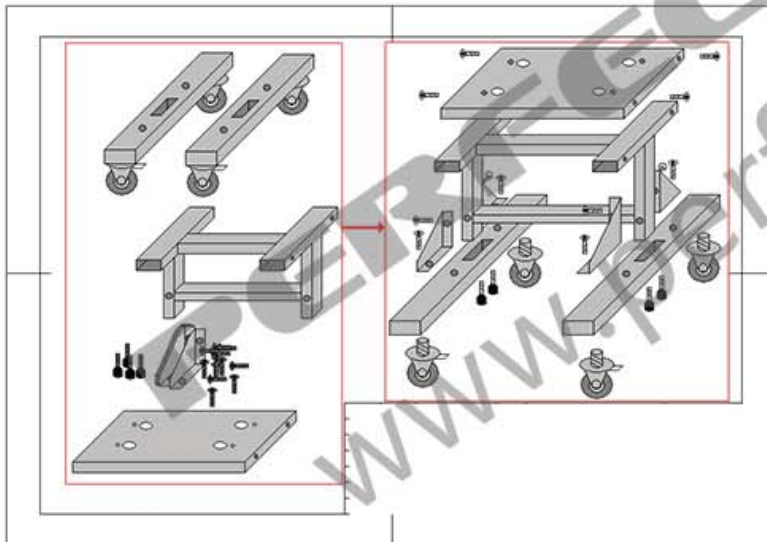
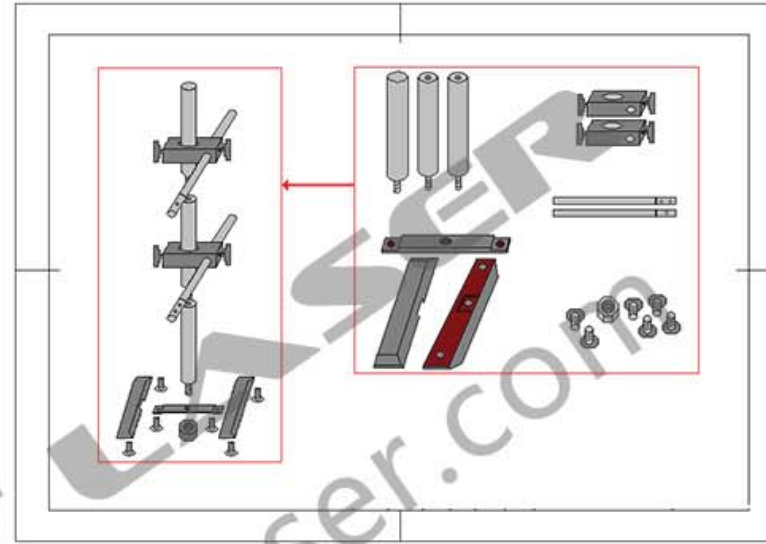
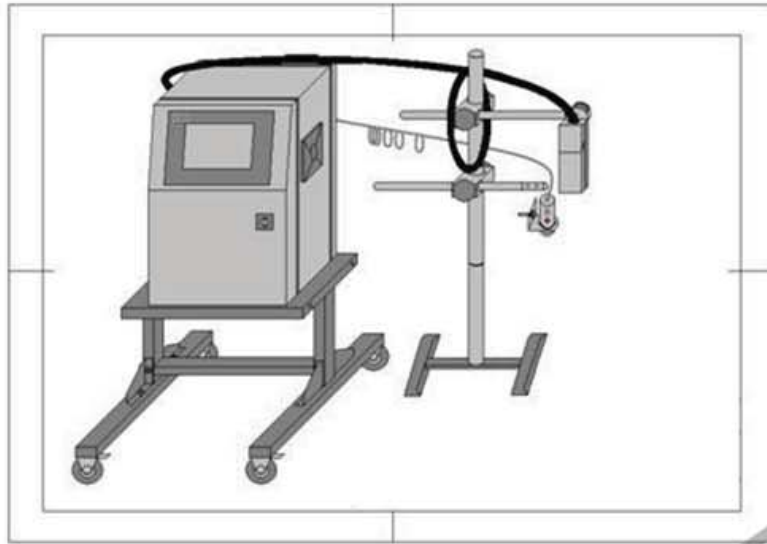
Standard Color



Optional Color



One printer support single color.



Packing



PM-100

Length (m)	Width (m)	Height (m)	Measurement (m3)	Gross weight(kg)
0.63	0.41	0.9	0.232	55